



High Performance Dust Collectors

T: +44 (0)1924 335500 E: sales@dcelimited.com

www.dustcontrolenvironmental.com



The DCE Envirojet range of high-performance reverse jet bag dust collectors have been specifically developed to handle a wide variety of dust particulate applications.

At the heart of the Envirojet dust collector lies an oval shaped filter bag. The DCE oval filter bag was specifically developed to gain square meter bag surface area within the same footprint of that found in a typical tubular bag dust collector. Up to 26% increase in bag surface area can be found to the equivalent cylindrical bag filters, resulting in the Envirojet dust collector having one of the most compact footprints on the market.

A unique waste pre-settlement chamber is incorporated within every Envirojet model designed to significantly reduce air inlet speed creating waste separation prior to filtration. This high level of waste pre-separation maximises filter media life and is especially effective on high dust loading applications. Extraction rates from 1000m³/hr to 150,000m³/hr can be formatted.

The Envirojet range of filters can be supplied complete with toe boards with safety handrail and gate along with a British Standard ladder to gain roof access for filter bag and pulse cleaning system inspection.

KEY FEATURES

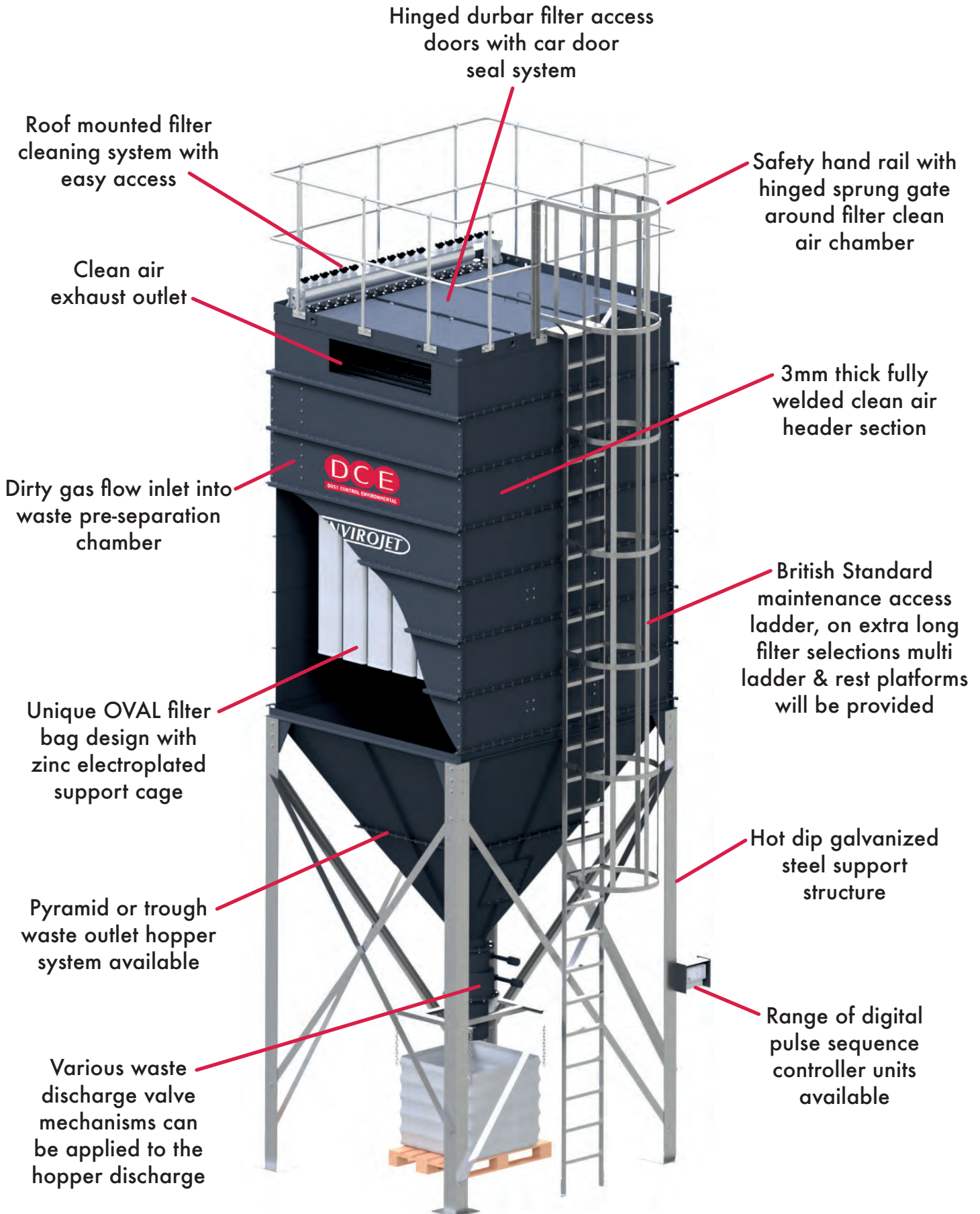
- Oval filter bag design
- Modular design
- Fully welded clean air header
- Easy pulse cleaning system access
- Waste pre-separation chamber
- Delivered part or fully assembled
- Various filter media types available
- Seven filter bag length selections 1m-4m
- Integrated or floor mounted fan options
- New multi-jet blow bar quiet pulse jet cleaning system
- Low compressed air usage
- Tailored waste collection systems
- Mild steel constructed fully powder coated body
- ATEX options

Unique Oval Filter Design
Less Filter Bags
Reduced Footprint



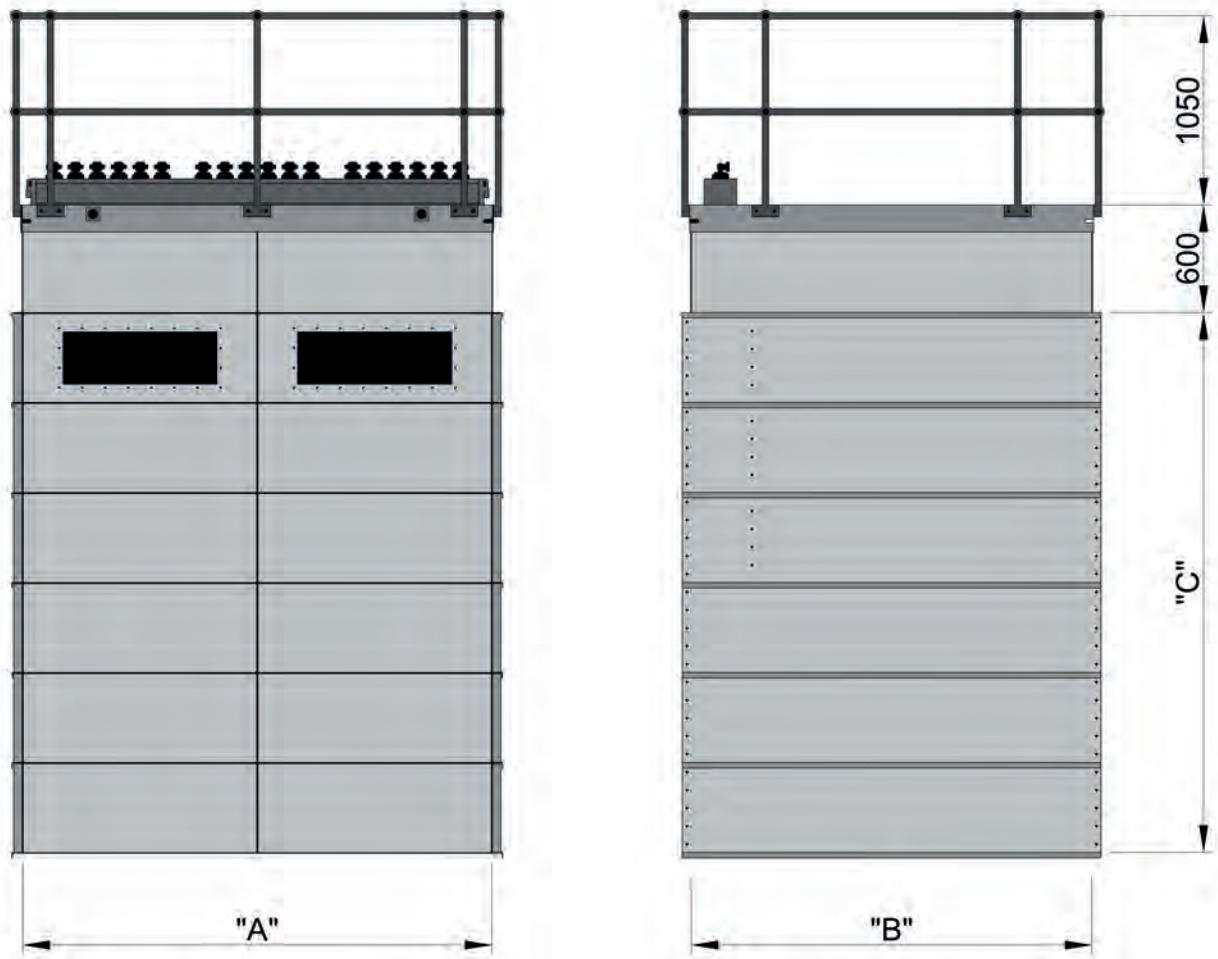
Key Features

ENVIROJET



High Performance Dust Collectors

ENVIROJET MAIN BODY



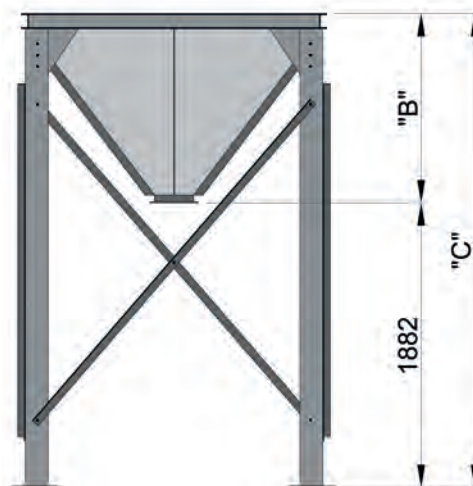
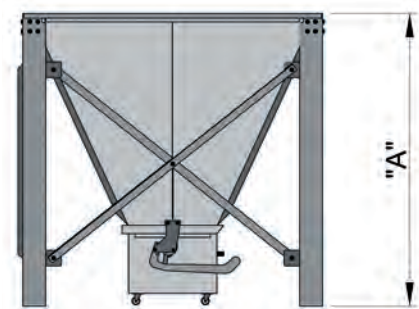
These dimensions are for guide purposes only, consult DCE for as fit installation and manufacturing drawings.

| ENVIROJET Model | Filter Area m ² | Filter Bag Length | Number of Valves | Dimensions (mm) | | | Weight kg |
|----------------------|----------------------------|-------------------|------------------|-----------------|------|------|-----------|
| | | | | A | B | C | |
| Envirojet 36.18.10 | 10 | 1m | 3 | 587 | 2224 | 1000 | 148 |
| Envirojet 66.36.20 | 20 | 1m | 6 | 947 | 2224 | 1000 | 276 |
| Envirojet 96.54.30 | 30 | 1m | 9 | 1417 | 2224 | 1000 | 415 |
| Envirojet 126.72.40 | 40 | 1m | 12 | 1777 | 2224 | 1000 | 554 |
| Envirojet 156.90.50 | 50 | 1m | 15 | 2247 | 2224 | 1000 | 692 |
| Envirojet 186.108.60 | 60 | 1m | 18 | 2607 | 2224 | 1000 | 830 |
| Envirojet 36.18.15 | 15 | 1.5m | 3 | 587 | 2224 | 1500 | 207 |
| Envirojet 66.36.30 | 30 | 1.5m | 6 | 947 | 2224 | 1500 | 415 |
| Envirojet 96.54.45 | 45 | 1.5m | 9 | 1417 | 2224 | 1500 | 622 |
| Envirojet 126.72.61 | 61 | 1.5m | 12 | 1777 | 2224 | 1500 | 830 |
| Envirojet 156.90.76 | 76 | 1.5m | 15 | 2247 | 2224 | 1500 | 1037 |
| Envirojet 186.108.91 | 91 | 1.5m | 18 | 2607 | 2224 | 1500 | 1245 |

| ENVIROJET Model | Filter Area m ² | Filter Bag Length | Number of Valves | Dimensions (mm) | | | Weight kg |
|-----------------------|----------------------------|-------------------|------------------|-----------------|------|------|-----------|
| | | | | A | B | C | |
| Envirojet 36.18.20 | 20 | 2.0m | 3 | 587 | 2224 | 2000 | 276 |
| Envirojet 66.36.41 | 41 | 2.0m | 6 | 947 | 2224 | 2000 | 553 |
| Envirojet 96.54.61 | 61 | 2.0m | 9 | 1417 | 2224 | 2000 | 830 |
| Envirojet 126.72.82 | 82 | 2.0m | 12 | 1777 | 2224 | 2000 | 1107 |
| Envirojet 156.90.102 | 102 | 2.0m | 15 | 2247 | 2224 | 2000 | 1384 |
| Envirojet 186.108.123 | 123 | 2.0m | 18 | 2607 | 2224 | 2000 | 1661 |
| Envirojet 36.18.25 | 25 | 2.5m | 3 | 587 | 2224 | 2500 | 346 |
| Envirojet 66.36.50 | 50 | 2.5m | 6 | 947 | 2224 | 2500 | 692 |
| Envirojet 96.54.75 | 75 | 2.5m | 9 | 1417 | 2224 | 2500 | 1038 |
| Envirojet 126.72.101 | 101 | 2.5m | 12 | 1777 | 2224 | 2500 | 1384 |
| Envirojet 156.90.126 | 126 | 2.5m | 15 | 2247 | 2224 | 2500 | 1730 |
| Envirojet 186.108.151 | 151 | 2.5m | 18 | 2607 | 2224 | 2500 | 2076 |
| Envirojet 126.72.122 | 122 | 3.0m | 12 | 1777 | 2224 | 3000 | 1662 |
| Envirojet 156.90.153 | 153 | 3.0m | 15 | 2247 | 2224 | 3000 | 2077 |
| Envirojet 186.108.183 | 183 | 3.0m | 18 | 2607 | 2224 | 3000 | 2492 |
| Envirojet 216.126.214 | 214 | 3.0m | 21 | 3077 | 2224 | 3000 | 2907 |
| Envirojet 246.144.244 | 244 | 3.0m | 24 | 3437 | 2224 | 3000 | 3322 |
| Envirojet 276.162.275 | 275 | 3.0m | 27 | 3907 | 2224 | 3000 | 3737 |
| Envirojet 306.180.306 | 306 | 3.0m | 30 | 4267 | 2224 | 3000 | 4152 |
| Envirojet 126.72.142 | 142 | 3.5m | 12 | 1777 | 2224 | 3500 | 1939 |
| Envirojet 156.90.178 | 178 | 3.5m | 15 | 2247 | 2224 | 3500 | 2424 |
| Envirojet 186.108.214 | 214 | 3.5m | 18 | 2607 | 2224 | 3500 | 2908 |
| Envirojet 216.126.250 | 250 | 3.5m | 21 | 3077 | 2224 | 3500 | 3392 |
| Envirojet 246.144.285 | 285 | 3.5m | 24 | 3437 | 2224 | 3500 | 3877 |
| Envirojet 276.162.320 | 320 | 3.5m | 27 | 3907 | 2224 | 3500 | 4362 |
| Envirojet 306.180.356 | 356 | 3.5m | 30 | 4267 | 2224 | 3500 | 4846 |
| Envirojet 336.198.392 | 392 | 3.5m | 33 | 4737 | 2224 | 3500 | 5330 |
| Envirojet 366.216.428 | 428 | 3.5m | 36 | 5097 | 2224 | 3500 | 5814 |
| Envirojet 396.234.463 | 463 | 3.5m | 39 | 5567 | 2224 | 3500 | 6299 |
| Envirojet 426.252.499 | 499 | 3.5m | 42 | 5972 | 2224 | 3500 | 6784 |
| Envirojet 126.72.163 | 163 | 4.0m | 12 | 1777 | 2224 | 4000 | 2216 |
| Envirojet 156.90.204 | 204 | 4.0m | 15 | 2247 | 2224 | 4000 | 2770 |
| Envirojet 186.108.245 | 245 | 4.0m | 18 | 2607 | 2224 | 4000 | 3324 |
| Envirojet 216.126.286 | 286 | 4.0m | 21 | 3077 | 2224 | 4000 | 3878 |
| Envirojet 246.144.326 | 326 | 4.0m | 24 | 3437 | 2224 | 4000 | 4432 |
| Envirojet 276.162.367 | 367 | 4.0m | 27 | 3907 | 2224 | 4000 | 4986 |
| Envirojet 306.180.408 | 408 | 4.0m | 30 | 4267 | 2224 | 4000 | 5540 |
| Envirojet 336.198.449 | 449 | 4.0m | 33 | 4737 | 2224 | 4000 | 6094 |
| Envirojet 366.216.490 | 490 | 4.0m | 36 | 5097 | 2224 | 4000 | 6648 |
| Envirojet 396.234.531 | 531 | 4.0m | 39 | 5567 | 2224 | 4000 | 7202 |
| Envirojet 426.252.572 | 572 | 4.0m | 42 | 5972 | 2224 | 4000 | 7756 |

HOPPER OPTION

| Number of valves | Dimensions (mm) | | | Weight kg |
|------------------|-----------------|------|------|-----------|
| | A | B | C | |
| 12 | 2400 | 2018 | 3900 | 792 |
| 15 | 2400 | 2018 | 3900 | 990 |
| 18 | 3000 | 2018 | 3900 | 1188 |
| 21 | 3000 | 2418 | 4300 | 1386 |
| 24 | 3600 | 2418 | 4300 | 1584 |
| 27 | 3600 | 2418 | 4300 | 1782 |
| 30 | 4000 | 2918 | 4800 | 1980 |
| 33 | 4000 | 2918 | 4800 | 2178 |
| 36 | 4600 | 2918 | 4800 | 2376 |
| 39 | 4600 | 3218 | 5100 | 2574 |
| 42 | 5200 | 3218 | 5100 | 2772 |



These dimensions are for guide purposes only, consult DCE for as fit installation and manufacturing drawings.

DURABLE POWDER COATED FINISH

To prevent corrosion damage to mild steel our filter components are powder coated to withstand ambient conditions. Our standard fine textured coating is robust and offers a long lasting, high quality durable finish.

- All steel fully de-greased
- All steel treated with edge coat zinc rich primer undercoat
- All steel finished with a fine texture semi-gloss/gloss top coat
- Approximate total paint thickness 120 micron
- Options for coastal marine surface finishes are also available

ENVIROJET STANDARDS

Our Envirojet range of dust collectors are designed and manufactured to the following standards:

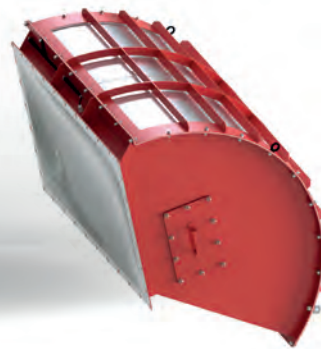
- ISO9001:2015 – Quality management system
- PD5304:2014 Safety of Machinery (205) – code of practice
- 2014/68EU Directive – Pressure Vessels Regulations
- 2014/30/EU Electromagnetic Compatibility European Standard
- ATEX 2014/34/EU Safe Handling of Explosive Atmospheres

The Envirojet range of dust collectors have been designed to handle a wide range of explosive dust types. Filter body construction and explosion relief venting are all designed and calculated to comply to the latest ATEX directive ATEX 2014/34/EU.



ATEX DESIGN FEATURES

- ST1 & ST2 dust can be handled
- Pred strength 0.27 Bar
- Roof mounted explosion venting
- EasyCAM bin system Pred strength 0.35 Bar
- Flameless vent options available
- Flame propagation valves for metallic and non-metallic dusts
- Range of pressure shock resistant pipework



Flameless Vent



Flame Propagation Valve



DCE REMOTE LINK

DCE Remote Link has been developed to enable the remote performance monitoring of the Envirojet filter range.

Key Benefits

- Live performance Data
- Quick diagnostics
- Maintenance planning
- Peace of mind

High Performance Dust Collectors



Environment Agency



UK CA



High Performance Dust Collectors

Dust Control Environmental Ltd

Unit 1, Flanshaw Industrial Estate, Flanshaw Way, Wakefield, WF2 9LP

T: +44 (0)1924 335500 E: sales@dcelimited.com www.dustcontrolenvironmental.com



Certificate Number 11873-QMS-001
ISO 9001